

Level 1 Design and Visual Communication

AS91065 Produce instrumental paraline drawings to communicate design ideas

Exemplar for Merit

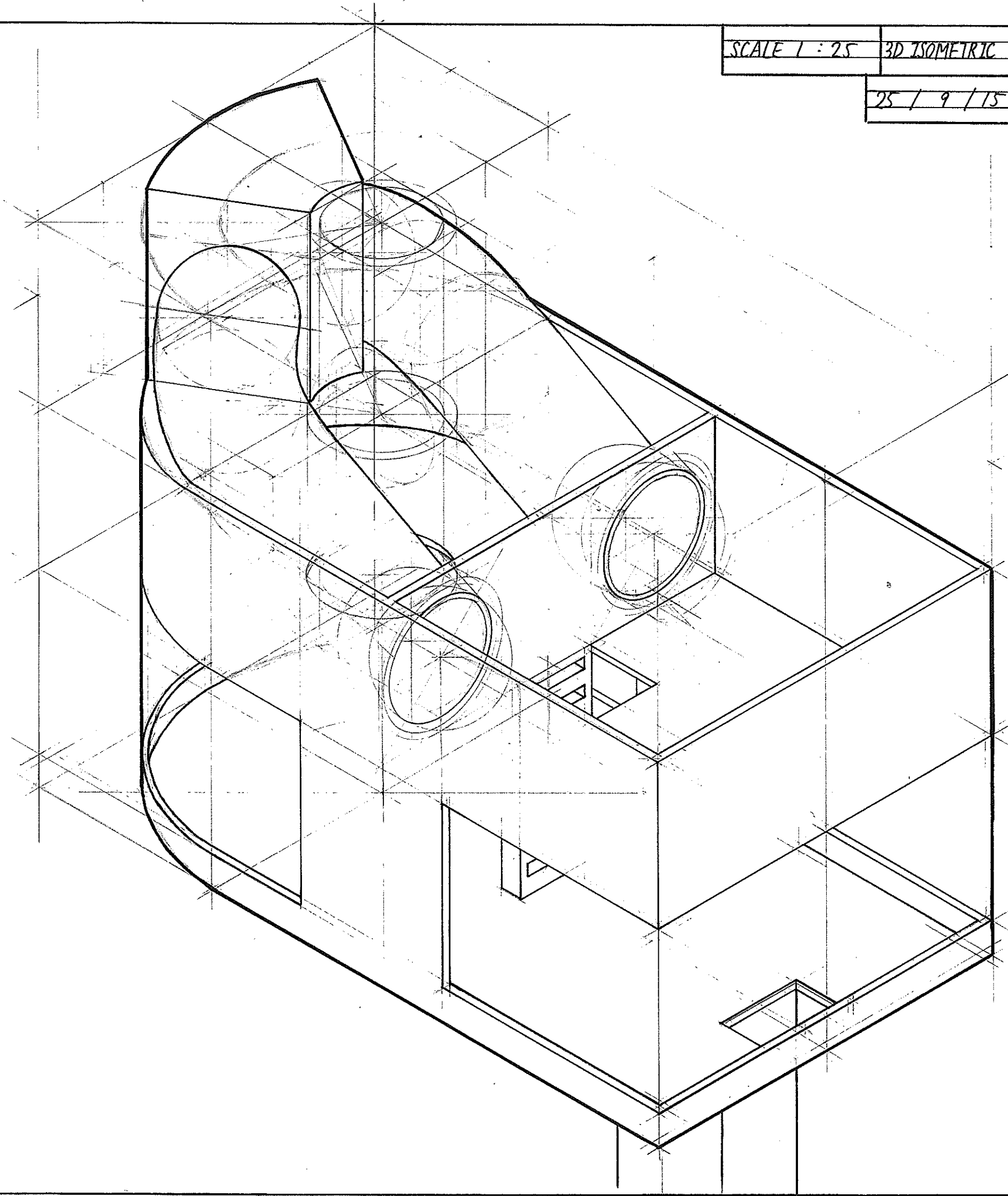
This submission exhibits a set of drawings from different view points showing correctly plotted complex form and a limited number of internal components. The candidate achieved a high standard of line work through an appropriate combination of ink pen, pencil and paper. This Merit grade could be further strengthened by using exploded or cut-away views.

SCALE 1 : 25

3D ISOMETRIC INSTRUMENTAL PARALINE DRAWING

25 / 9 / 15

DWG No. 3 / 7

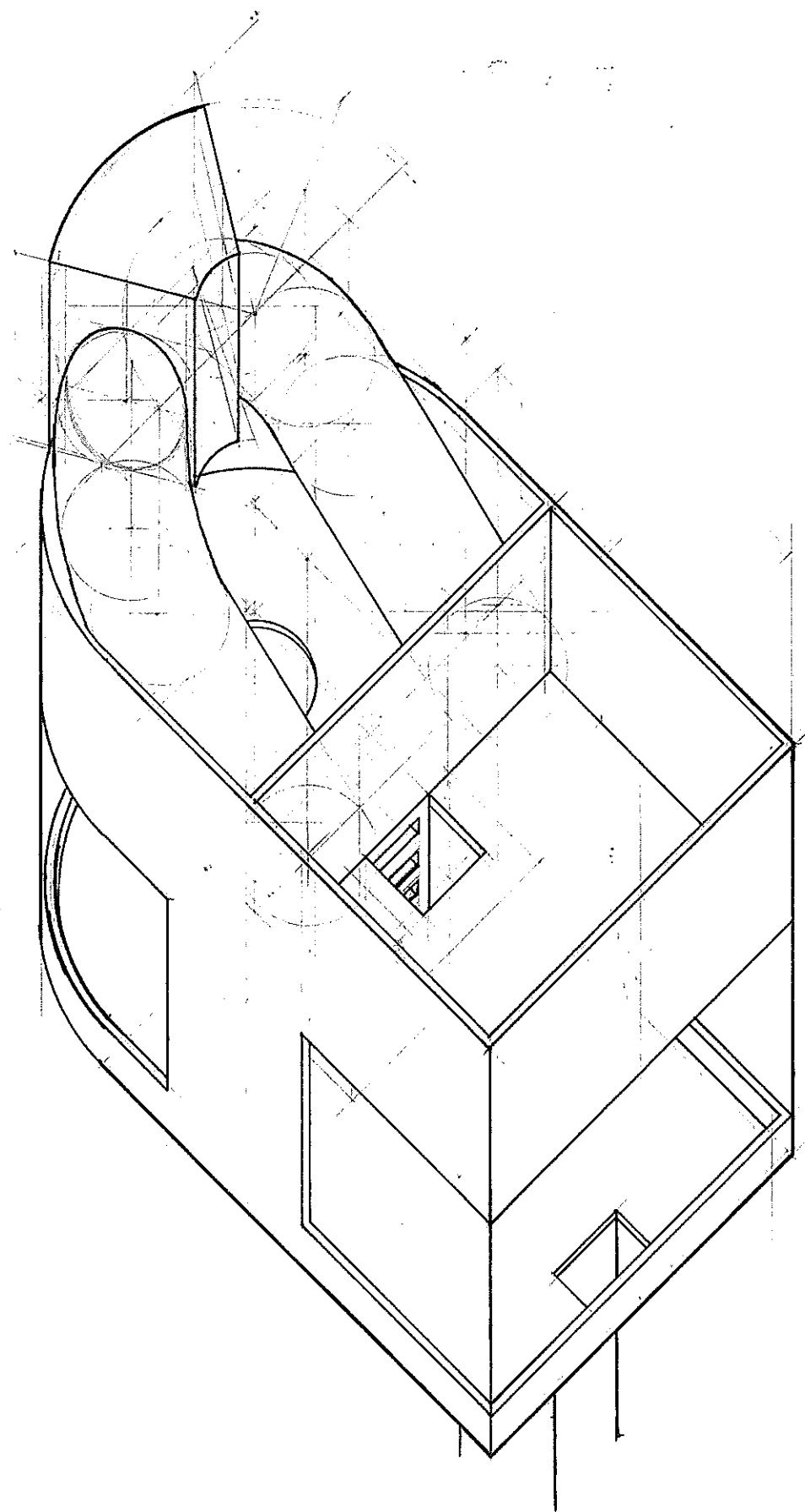


SCALE 1:36

3D PLANOMETRIC INSTRUMENTAL PARALLEL DRAWING

17/10/15

DWG No. 7 / 7



SCALE 1:25 3D OBLIQUE INSTRUMENTAL & PARALLEL DRAWING

3 / 10 / 15

DWG No. 5 / 7

