

# Design and Visual Communication

## AS 91338

### Exemplar A - Excellence

**AS91338: Produce working drawings to communicate technical details of a design (4 credits)**

Achievement	Achievement with Merit	Achievement with Excellence
Produce working drawings to communicate technical details of a design.	Produce working drawings to clearly communicate technical details of a design.	Produce working drawings to effectively communicate technical details of a design.
Produce a set of related 2D instrumental working drawings that communicate technical details showing complex visual information.	Produce a set of working drawings that clearly communicate technical details showing complex visual information.	Produce a coherent set of working drawings that effectively communicate technical details showing complex visual information.
Demonstrate an ability to use drawing conventions in a working drawing.	Demonstrate an ability to apply drawing conventions appropriately to working drawings.	Demonstrate an ability to apply drawing conventions appropriately to working drawings.

E

#### COMMENT:

A set of related drawings, projection used and views labelled.

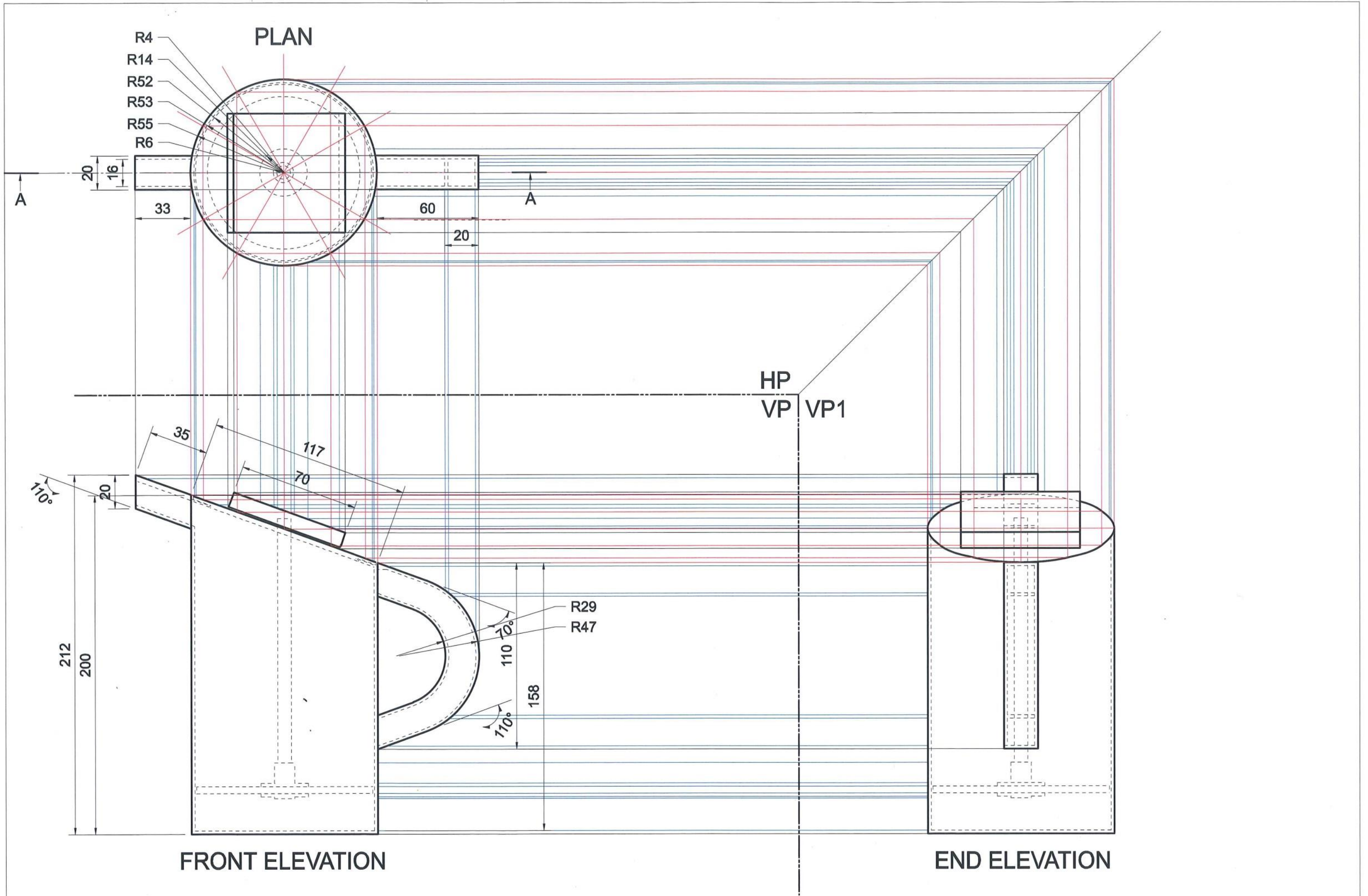
Complex visual information is shown through the projection of the ellipse on the end elevation, the cross section and two enlarged details.

Technical details clearly and effectively communicate complex visual information. The details are informative about the construction of the Jug.

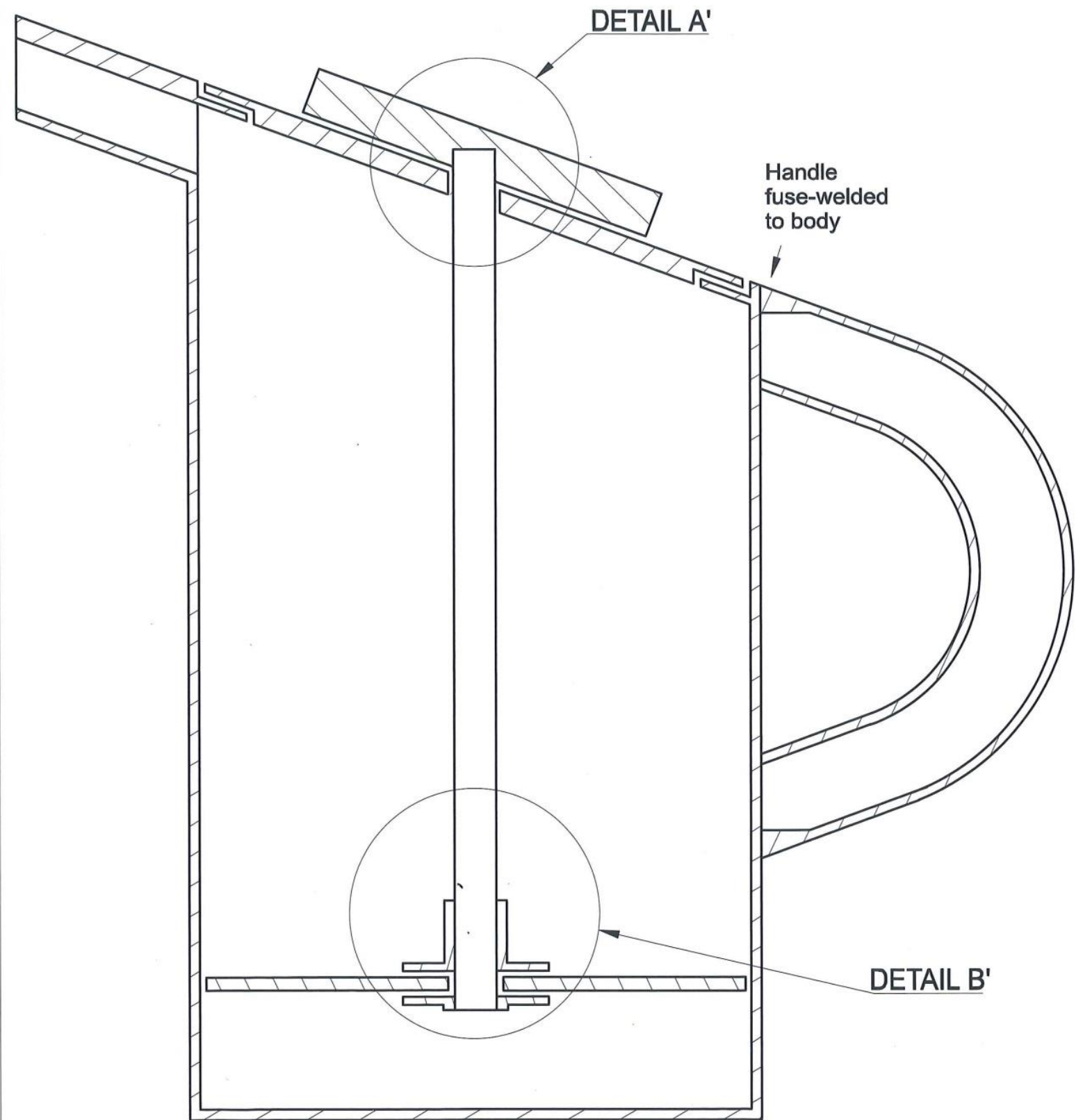
All the drawings are referenced and linked to one another.

Conventions have been used and applied appropriately for this type of drawing.

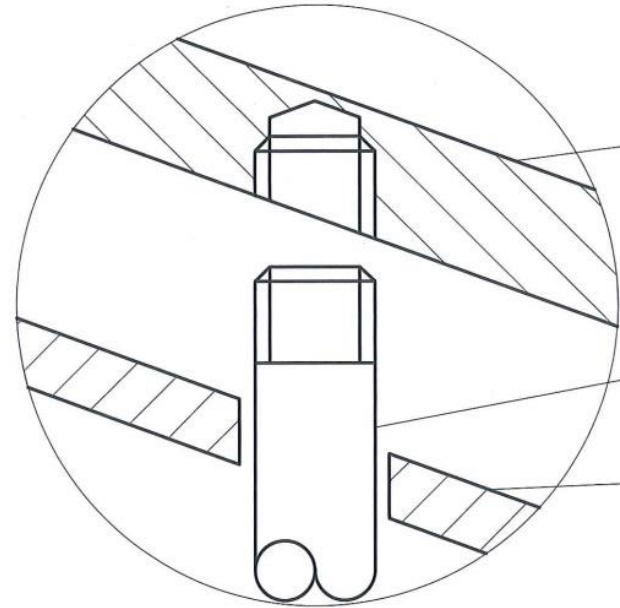
The drawings have been drawn using standard scales: 1:1, 1:2 & 2:1.





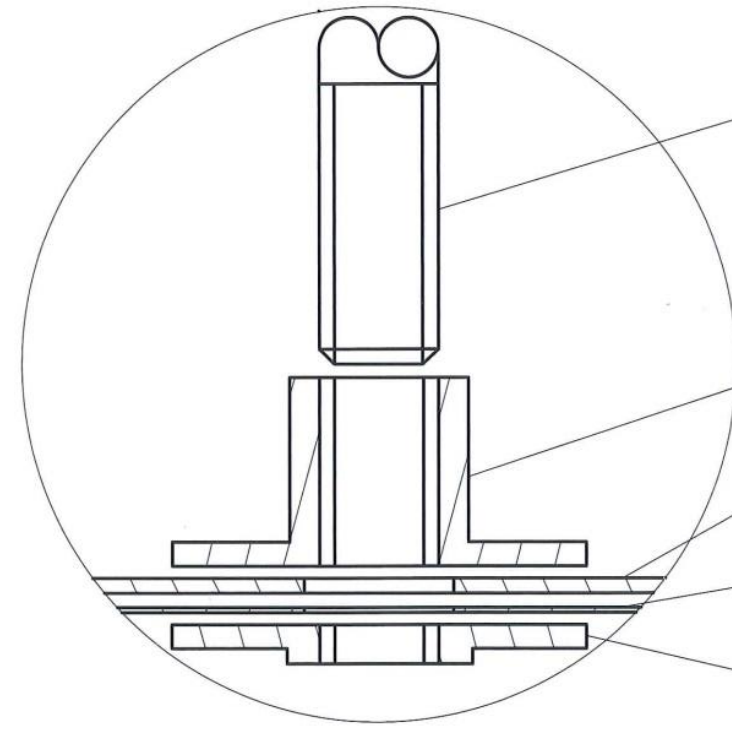


**CROSS SECTION A'A'**



- PLUNGER SHAFT KNOB
- PLUNGER SHAFT  
M8 x 1.00
- PLUNGER LID

**DETAIL A'**  
PLUNGER PRESS ASS.  
(EXPLODED)



- PLUNGER SHAFT  
M8 x 1.00
- PLUNGER SHAFT TOP NUT  
M8 x 1.00
- STAINLESS STEEL PLATE
- GAUZE
- PLUNGER SHAFT BASE NUT  
M8 x 1.00

**DETAIL B'**  
PLUNGER SHAFT ASS.  
(EXPLODED)

CROSS SECTION A'A' SCALE: 1:1

EXPLODED DETAIL DRAWINGS A' & B' SCALE: 2:1

