

550

192

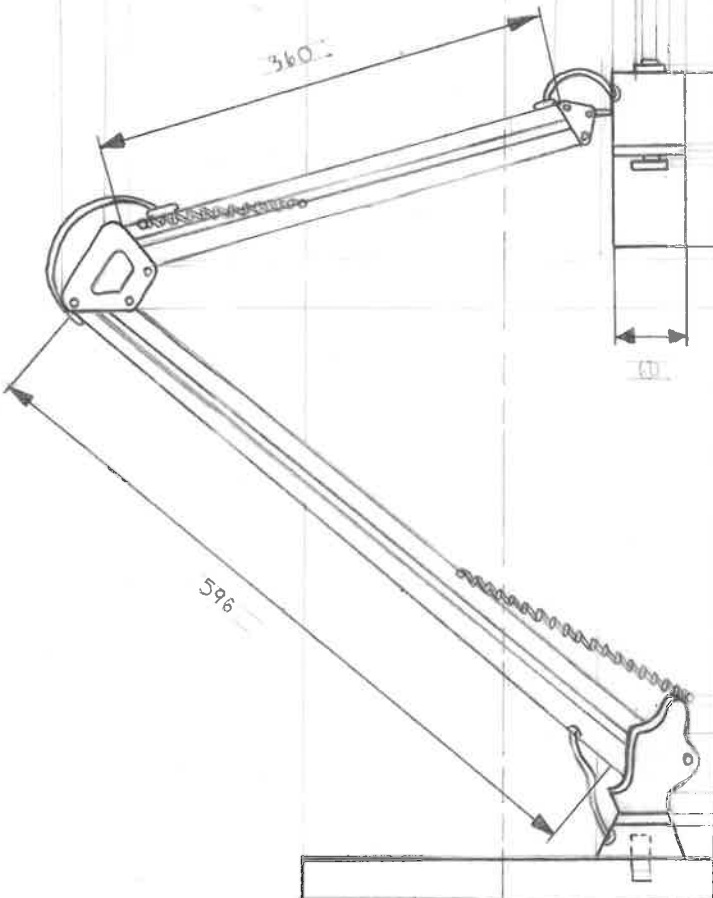
360

133

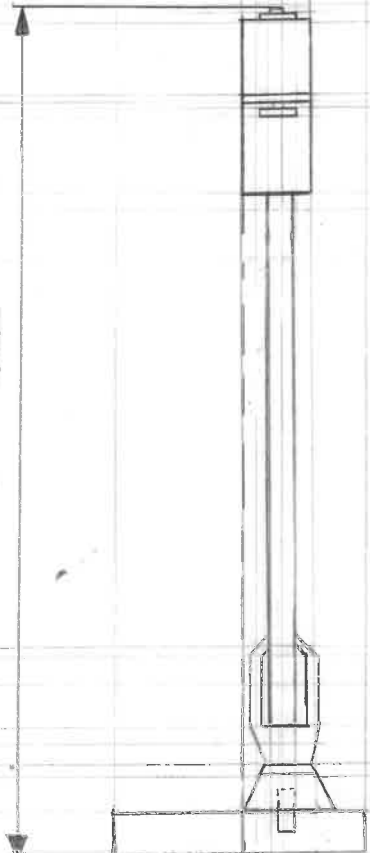
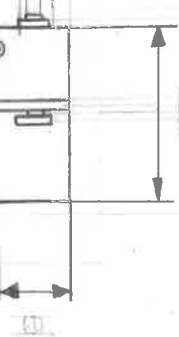
672

596

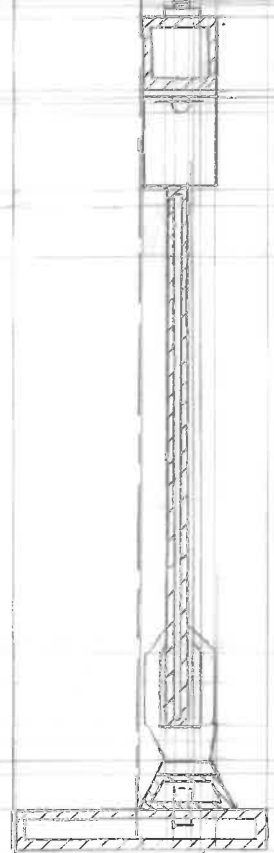
HP
VP



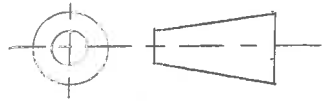
FRONT ELEVATION



RIGHT SIDE ELEVATION



SECTION A-A



WORKING DRAWING OF A LAMP

THIRD ANGLE ORTHOGRAPHIC

DATE:

SCALE 1:6

Level 1 Design and Visual Communication

91064: Produce instrumental, multi-view orthographic drawings that communicate technical features of design ideas

Exemplar for Merit

This submission communicates four correctly aligned views, including a sectional view which communicates some information not visible in the main outline.

Conventions, such as the labelling of views and reference lines, the use of key line types and dimensioning have been applied.

The indicated scale has been verified by dimensions.

This submission could have been strengthened by geometric construction of elements that have been freehand drawn and consistent quality of linework.